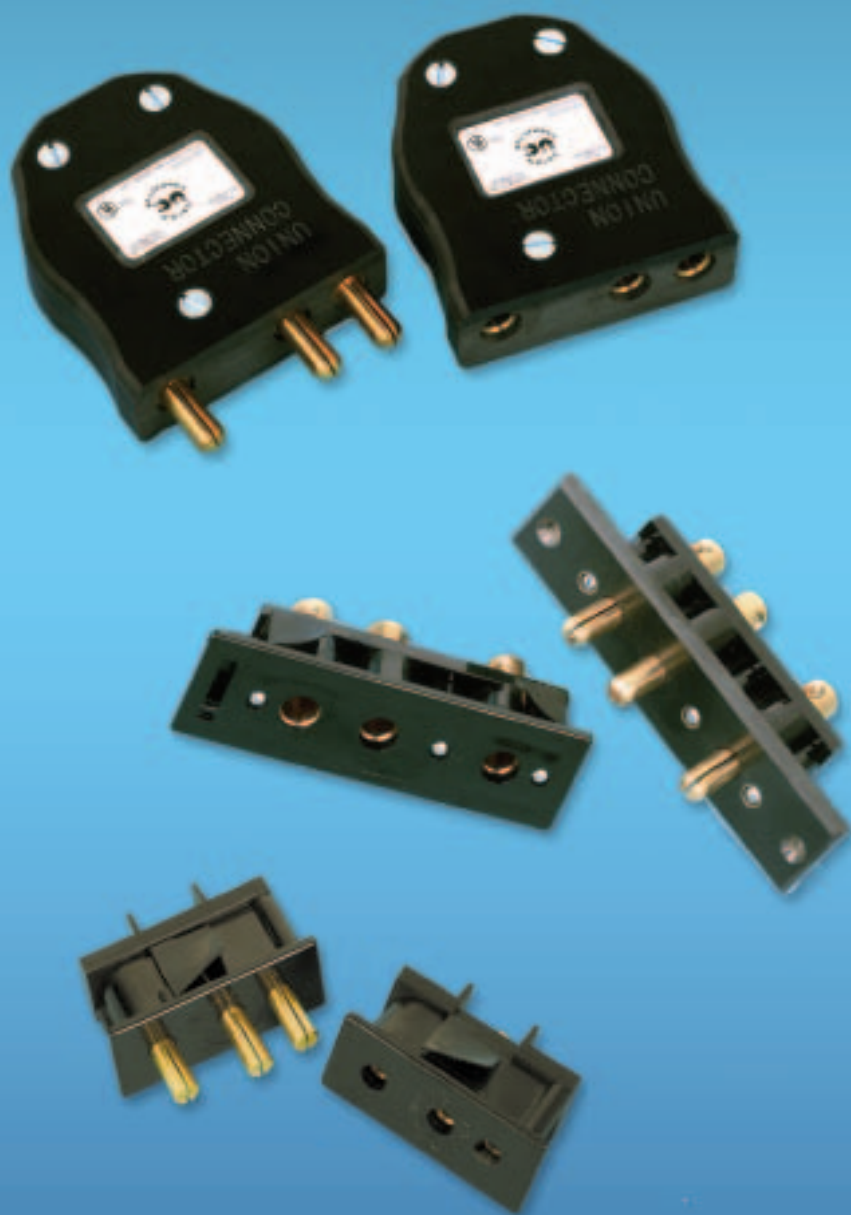


# Pin Connectors

Electrical Wiring Devices  
for the Entertainment Industry

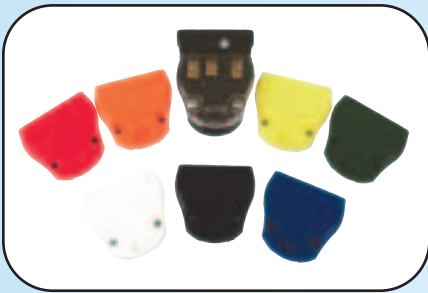


**UNION CONNECTOR**

Bulletin NO.: PCL-01A

Copyright © 2004, Union Connector Co., Inc.

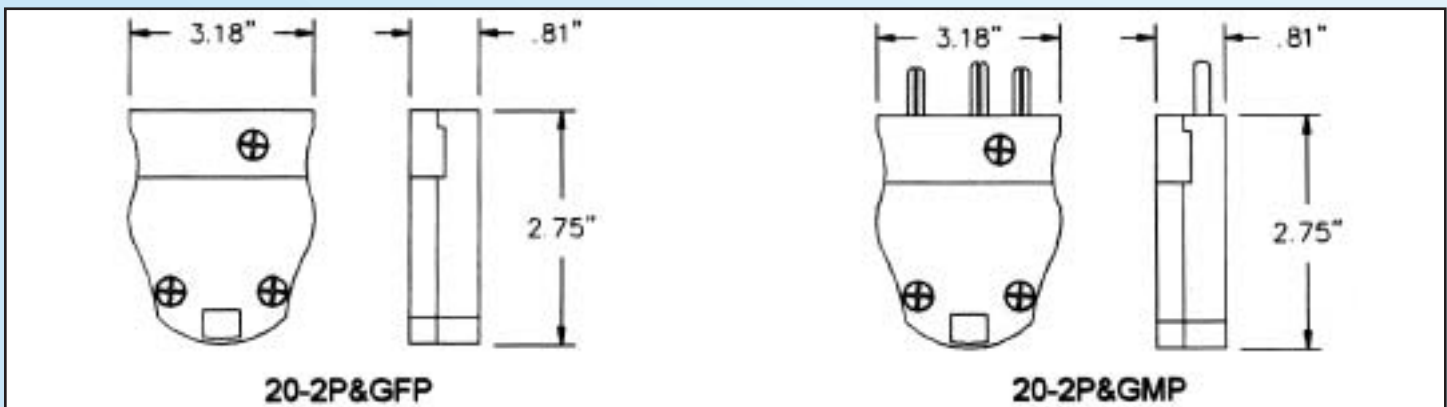
## 20-2P&G Plugs and Connectors



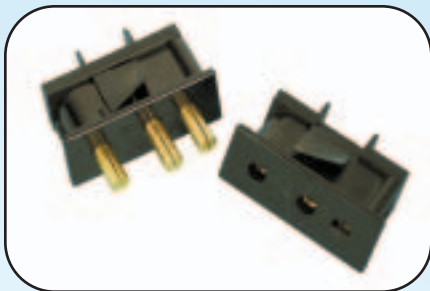
### Features

- UL Listed - File E11417
- ULc Listed for use in Canada.
- Rated 20A., 125V. / 15A., 250V. ac
- Pin configuration conforms to USITT standards.
- Compatible with other entertainment industry pin connectors.
- Non-melting thermo-set molded phenolic construction.
- Ergonomic shape for ease of handling
- Enough space in body to wire for a two-fer.
- Solid brass contact pins.
- Wire connection with traditional crimp lugs or direct connect pressure-plate terminals.
- "Floating" pins guarantee an easy fit and better electrical connection.
- Pins are removable and replaceable.
- All screws standard Phillips.
- Covers available in a choice of 7 different colors or clear see-thru.
- Covers can be private-labeled with text or logo.
- Cable entry for 12/3 SO.
- Strain relief for use with either small cable or fiberglass sleeved wires.

CATALOG NUMBER		CONNECTION	COVER COLOR
Male Plug	Female Connector		
20-2P&GMP	20-2P&GFP	Pressure Plate	Black
20-29&GMP-B	20-29&GFP-B	Pressure Plate	Blue
20-2P&GMP-C	20-2P&GFP-C	Pressure Plate	Clear
20-2P&GMP-G	20-2P&GFP-G	Pressure Plate	Green
20-2P&GMP-O	20-2P&GFP-O	Pressure Plate	Orange
20-2P&GMP-R	20-2P&GFP-R	Pressure Plate	Red
20-2P&GMP-W	20-2P&GFP-W	Pressure Plate	White
20-2P&GMP-Y	20-2P&GFP-Y	Pressure Plate	Yellow
20-2P&GMC	20-2P&GFC	Crimp Lug	Black
20-2P&GMC-B	20-2P&GFC-B	Crimp Lug	Blue
20-2P&GMC-C	20-2P&GFC-C	Crimp Lug	Clear
20-2P&GMC-G	20-2P&GFC-G	Crimp Lug	Green
20-2P&GMC-O	20-2P&GFC-O	Crimp Lug	Orange
20-2P&GMC-R	20-2P&GFC-R	Crimp Lug	Red
20-2P&GMC-W	20-2P&GFC-W	Crimp Lug	White
20-2P&GMC-Y	20-2P&GFC-Y	Crimp Lug	Yellow



## 2P&G Panel Mount Devices



### Features

- UL Listed - File E11417
- ULc Listed for use in Canada.
- Rated 20A., 125V. / 15A., 250V. ac
- Pin configuration conforms to USITT standards.
- Compatible with other entertainment industry pin connectors.
- Non-melting thermo-set molded phenolic construction.
- Solid brass contact pins.
- "Floating" pins guarantee an easy fit and better electrical connection.
- Patented Sprint-Lock™ simplifies installation. Push the device into position and the hardened steel spring holds it securely in place.

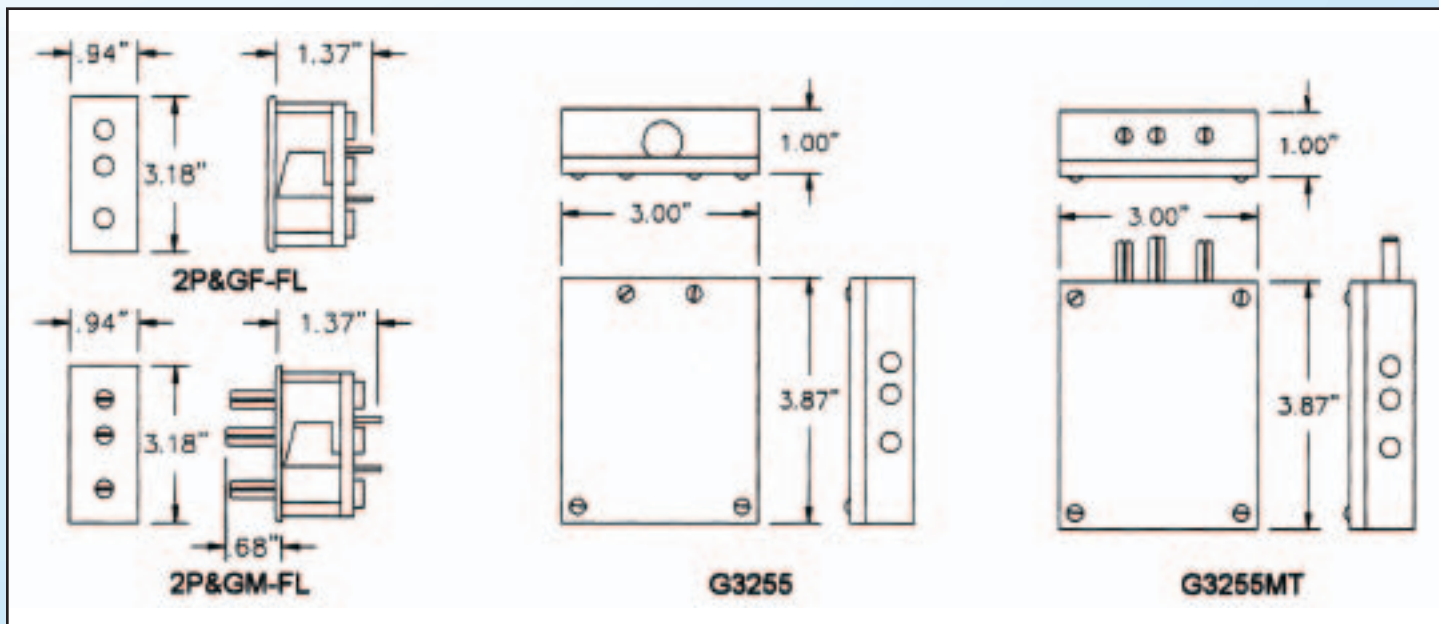
## Branch-Offs (3-Fer Block)



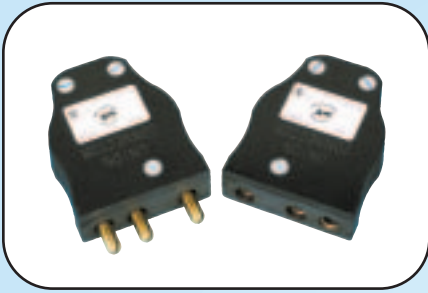
### Features

- UL Listed - File E11417
- Pin configuration conforms to USITT standards.
- Compatible with other entertainment industry pin connectors.
- Fabricated from Electrical grade phenolic - cannot melt or burn.
- Male tap style has male pins for plug-in connection to outlet.
- Cable style has cable entry hole sized for 12/3 SO.
- Provides a simple way to "3-Fer" an outlet or pigtail.

CATALOG NUMBER	DESCRIPTION
2P&GF-FL	20A., 125V. Panel mount female receptacle
2P& GF-FL	20A., 125V., Panel mount male inlet
G3255	20A., 125V., 3-fer Branch-off, Cable entry hole
G3255MT	20A., 125V., 3-fer Branch-off, Male pin input (Male tap)



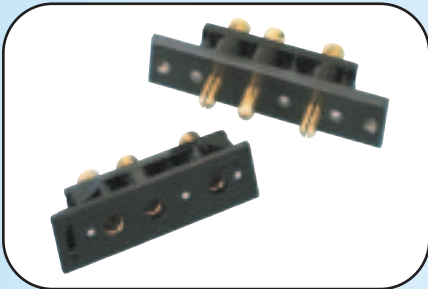
## Plugs and Connectors



### Features

- UL Listed - File E11417
- ULc Listed for use in Canada.
- Pin configuration conforms to USITT standards.
- Compatible with other entertainment industry pin connectors.
- Fabricated from Electrical grade phenolic - cannot melt or burn.
- Ergonomic shape with Sure-Grip™ edge for ease of handling
- Solid brass contact pins.
- Wire connection secured by set screws in pins.
- "Floating" pins guarantee an easy fit and better electrical connection.
- Cable entry for 10/3 SO.

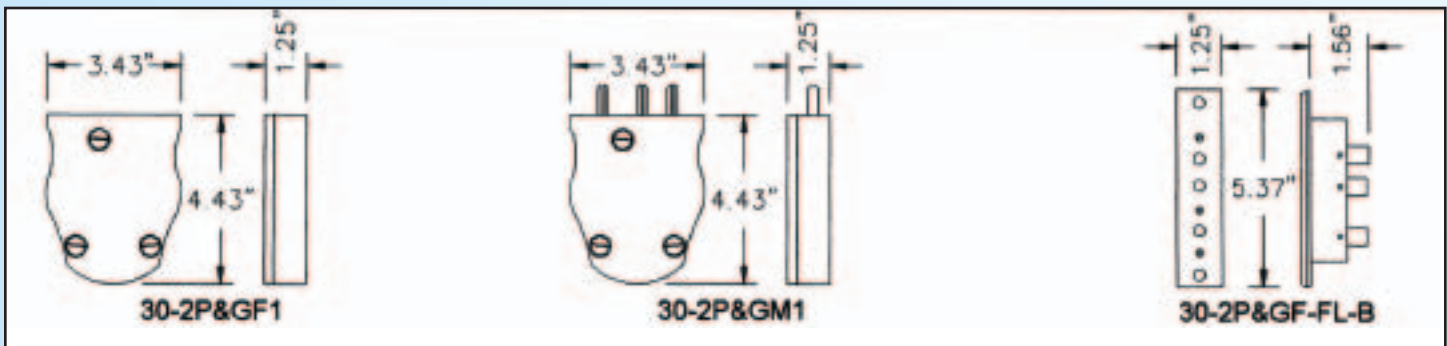
## Panel Mount Devices



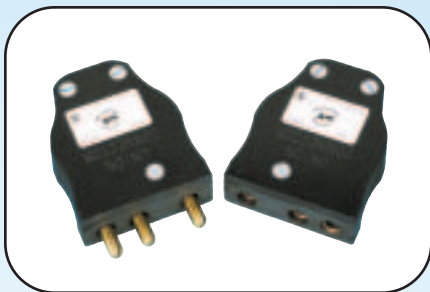
### Features

- UL Listed - File E11417
- ULc Listed for use in Canada.
- Available in 125V. and 240V.
- Pin configuration conforms to USITT standards.
- Compatible with other entertainment industry pin connectors.
- Fabricated from Electrical grade phenolic.
- Bolt-on type mounting.
- Solid brass contact pins.
- Wire connection secured by set screws in pins.
- "Floating" pins guarantee an easy fit and better electrical connection.

CATALOG NUMBER	RATING	DESCRIPTION
30-2P&GF1	30A., 125V.	Female cable connector
30-2P&GM1	30A., 125V.	Male cable plug
30-2P&GF-FL-B	30A., 125V.	Female panel mount receptacle - Bolt-on
30-2P&GM-FL-B	30A., 125V.	Male panel mount inlet - Bolt-on



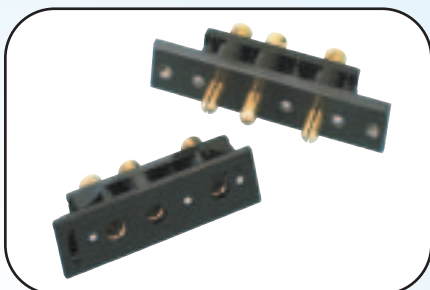
## Plugs and Connectors



### Features

- UL Listed - File E11417
- ULc Listed for use in Canada.
- Available in 125V. and 240V.
- Pin configuration conforms to USITT standards.
- Compatible with other entertainment industry pin connectors.
- Fabricated from Electrical grade phenolic - cannot melt or burn.
- Ergonomic shape with Sure-Grip™ edge for ease of handling
- Solid brass contact pins.
- Wire connection secured by set screws in pins.
- "Floating" pins guarantee an easy fit and better electrical connection.
- Cable entry sized for range from 4/3 SO to multiple #6 EISL.

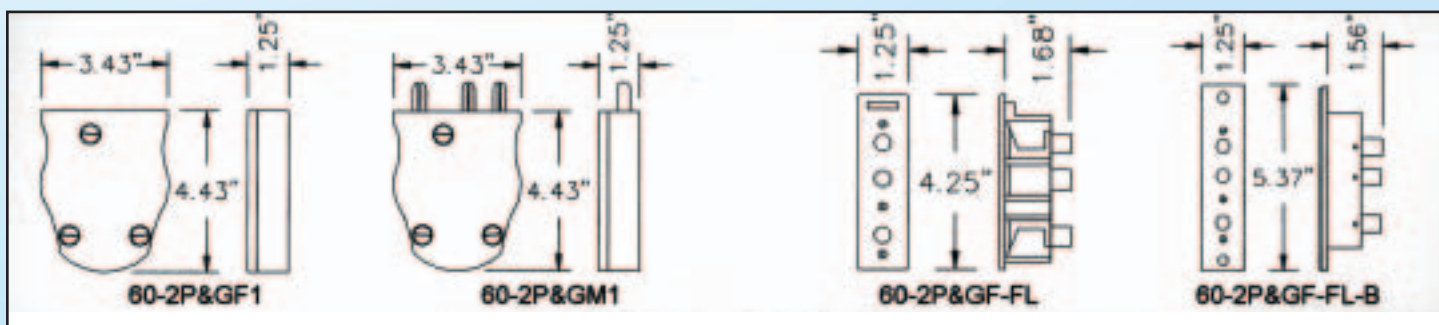
## Panel Mount Devices



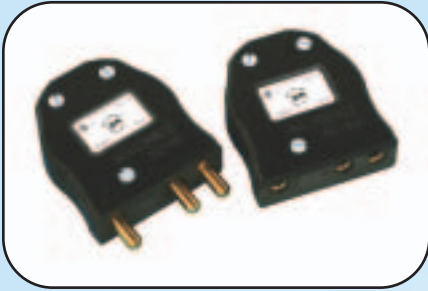
### Features

- UL Listed - File E11417
- ULc Listed for use in Canada.
- Available in 125V. and 240V.
- Pin configuration conforms to USITT standards.
- Compatible with other entertainment industry pin connectors.
- 125V. devices are molded polycarbonate.
- 240V. devices are fabricated from Electrical grade phenolic.
- Available with Spring-Lock™ or bolt-on type mounting.
- Solid brass contact pins.
- Wire connection secured by set screws in pins.
- "Floating" pins guarantee an easy fit and better electrical connection.

CATALOG NUMBER	RATING	DESCRIPTION
60-2P&GF1	60A., 125V.	Female cable connector
60-2P&GM1	60A., 125V.	Male cable plug
60-2P&GF-FL	60A., 125V.	Female panel mount receptacle - Spring-Lock™
60-2P&GF-FL-B	60A., 125V.	Female panel mount receptacle - Bolt-on
60-2P&GM-FL	60A., 125V.	Male panel mount inlet - Spring-Lock™
60-2P&GM-FL-B	60A., 125V.	Male panel mount inlet - Bolt-on
60-2H&GF1	60A., 240V.	Female cable connector
60-2H&GM1	60A., 240V.	Male cable plug
60-2H&GF-FL-B	60A., 240V.	Female panel mount receptacle - Bolt-on
60-2H&GM-FL-B	60A., 240V.	Male panel mount inlet - Bolt-on



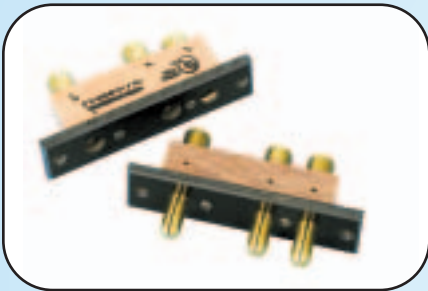
## Plugs and Connectors



### Features

- UL Listed - File E11417
- ULc Listed for use in Canada.
- Available in 125V. and 240V.
- Pin configuration conforms to USITT standards.
- Compatible with other entertainment industry pin connectors.
- Fabricated from Electrical grade phenolic - cannot melt or burn.
- Ergonomic shape with Sure-Grip™ edge for ease of handling
- Solid brass contact pins.
- Wire connection secured by set screws in pins.
- "Floating" pins guarantee an easy fit and better electrical connection.
- Cable entry sized for range from 2/3 SO to multiple #4 EISL.

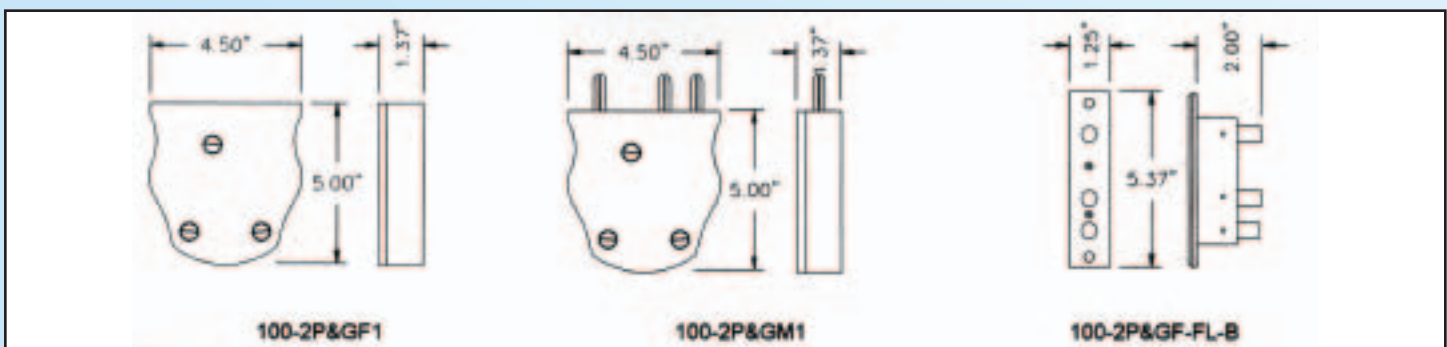
## Panel Mount Devices



### Features

- UL Listed - File E11417
- ULc Listed for use in Canada.
- Available in 125V. and 240V.
- Pin configuration conforms to USITT standards.
- Compatible with other entertainment industry pin connectors.
- Fabricated from Electrical grade phenolic.
- Bolt-on type mounting.
- Solid brass contact pins.
- Wire connection secured by set screws in pins.
- "Floating" pins guarantee an easy fit and better electrical connection.

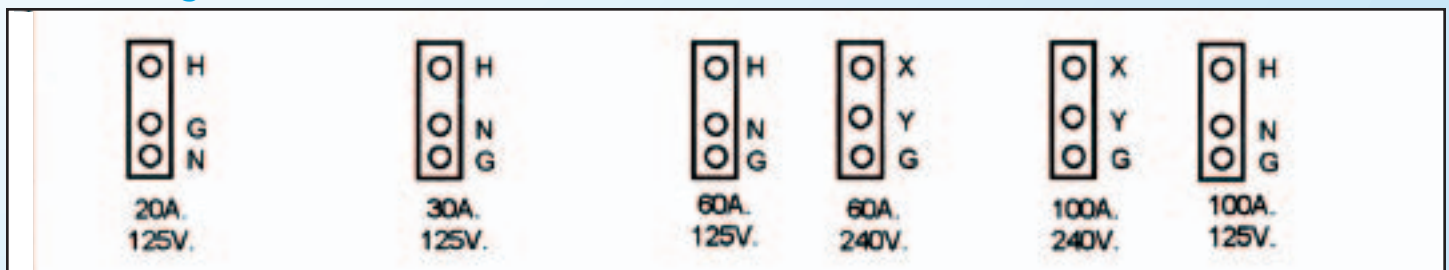
CATALOG NUMBER	RATING	DESCRIPTION
100-2P&GF1	100A., 125V.	Female cable connector
100-2P&GM1	100A., 125V.	Male cable plug
100-2P&GF-FL-B	100A., 125V.	Female panel mount receptacle - Bolt-on
100-2P&GM-FL-B	100A., 125V.	Male panel mount inlet - Bolt-on
100-2H&GF1	100A., 240V.	Female cable connector
100-2H&GM1	100A., 240V.	Male cable plug
100-2H&GF-FL-B	100A., 240V.	Female panel mount receptacle - Bolt-on
100-2H&GM-FL-B	100A., 240V.	Male panel mount inlet - Bolt-on



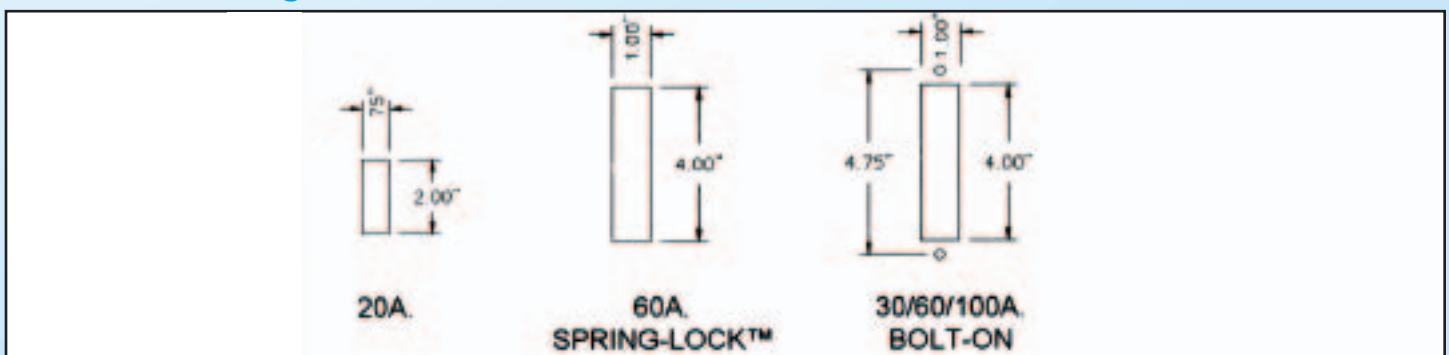
## Accessories

CATALOG NUMBER	DESCRIPTION
COVER-20-BLACK	Black cover for 20-2P&G
COVER-20-BLUE	Blue cover for 20-2P&G
COVER-20-CLEAR	Clear cover for 20-2P&G
COVER-20-GREEN	Green cover for 20-2P&G
COVER-20-ORANGE	Orange cover for 20-2P&G
COVER-20-RED	Red cover for 20-2P&G
COVER-20-WHITE	White cover for 20-2P&G
COVER-20-YELLOW	Yellow cover for 20-2P&G
20-2P&G-SR (100)	Strain relief for 20-2P&G - bag of 100 pieces
PIN#UC-505-H	Female pin for 20-2P&G (pressure plate type)
PIN#UC-506-G	Female pin for 20-2P&G (crimp lug type)
PIN#UC-555-A	Female pin for 20-2P&G (crimp lug type)
PIN#UC-556	Male pin for 20-2P&G (crimp lug type)
RINGLUG (100)	Crimp lug for 20-2P&G - bag of 100 pieces
FLAGLUG (100)	"Flag" type lug for old style 2P&G connectors
8/32 (100)	Brass screw for 20-2P&G pins - bag of 100
8TYPE25 (100)	Steel screw for 202P&G
PIN#UC461	Bus adapter for 60A. panel mount devices.
PIN#UC283	Bus adapter for 100A. panel mount devices.

## Pin Configurations



## Panel Mounting Cutout Dimensions





40 Dale Street • West Babylon, New York 11704

Tel: 631.753.9550 • Fax 631.753.9560

[www.unionconnector.com](http://www.unionconnector.com)